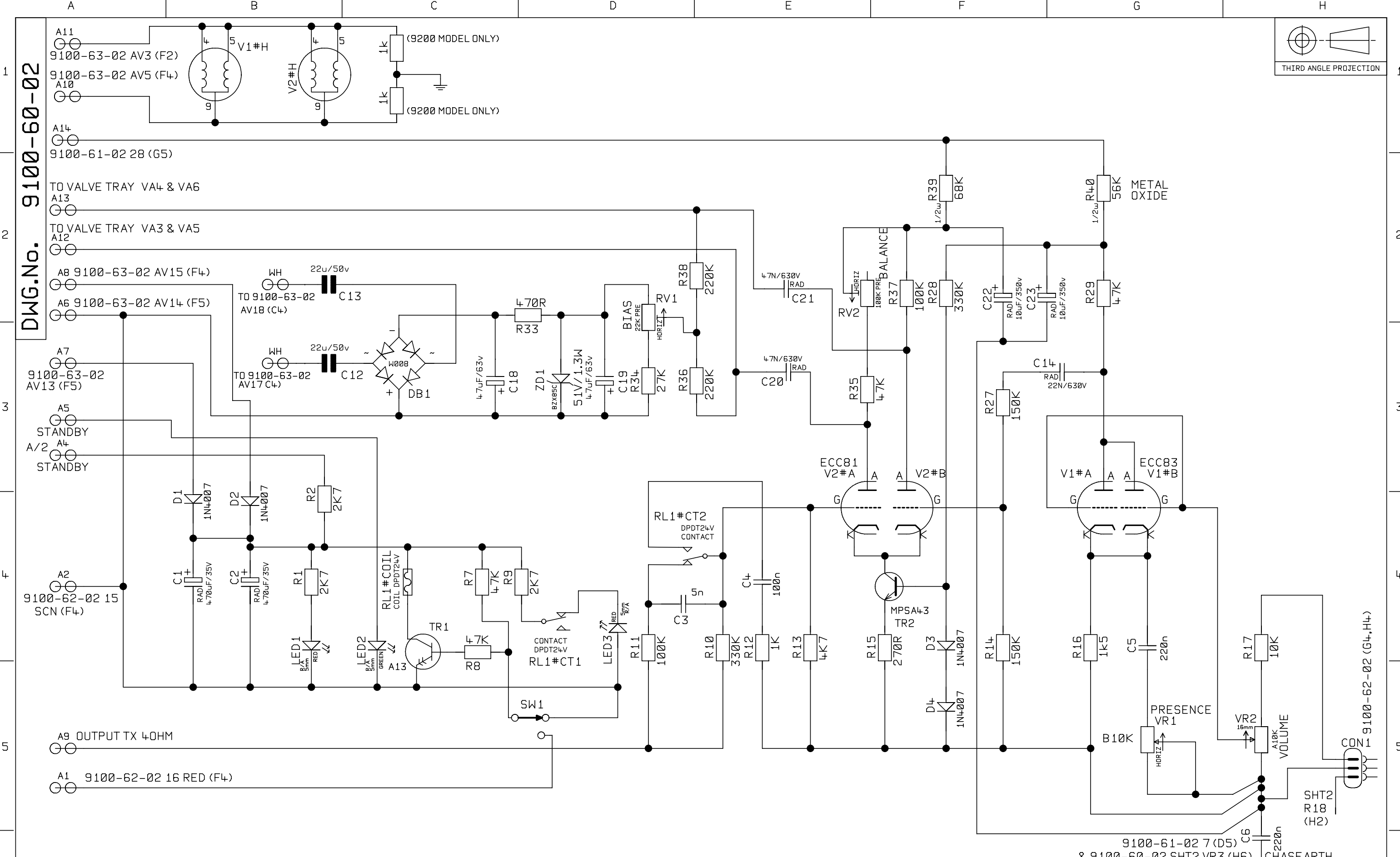


DWG.No. 9100-60-02



UNSPECIFIED HOLE DATA		
	A	H
	B	J
6	1313	01-10-96
5	0705	25-11-94
4	0752	27-10-94
3	0606	19-4-94
ISS	ECO NUMBER	DATE

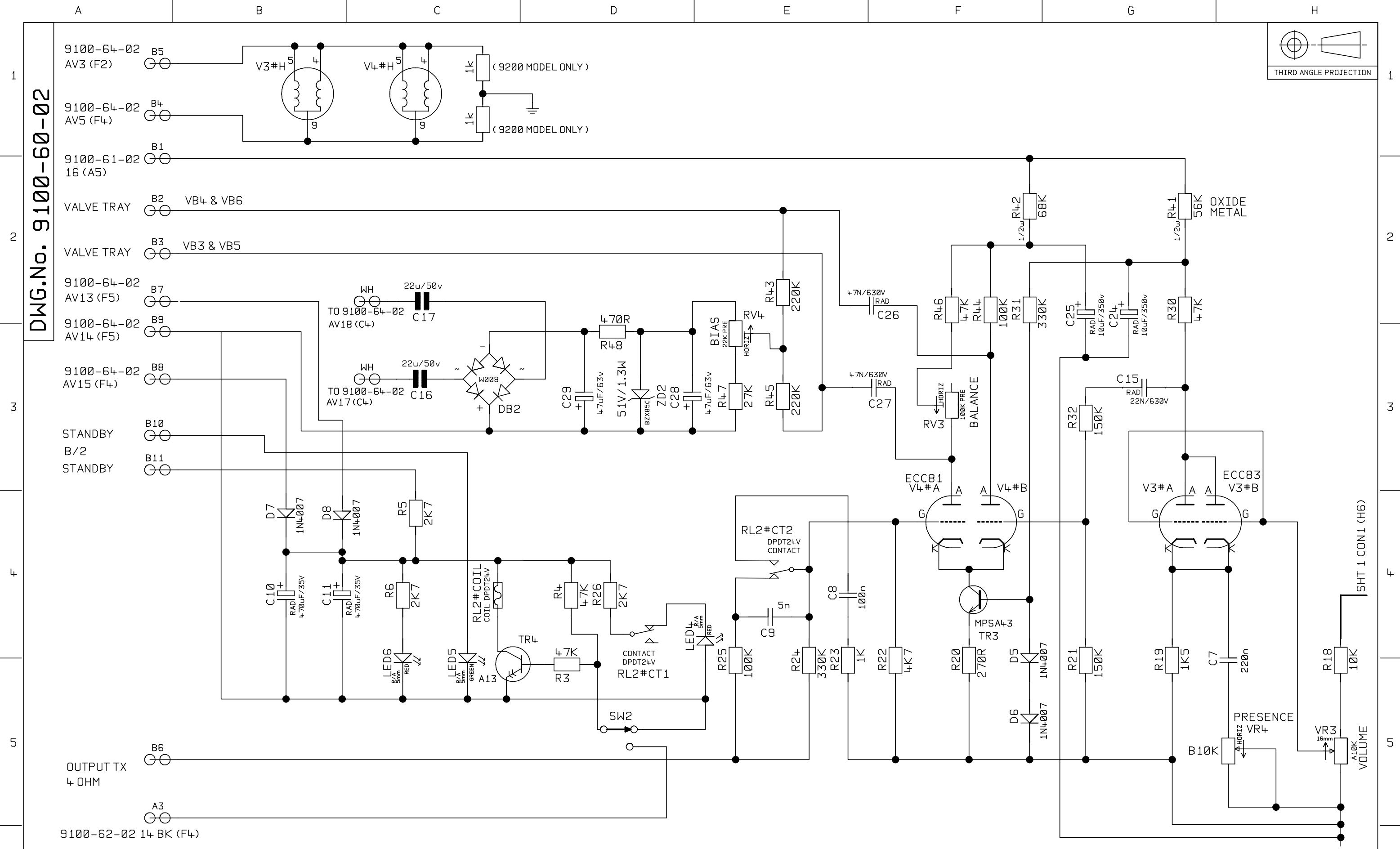
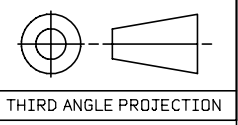
MATERIAL		DIMENSIONS IN	
MATERIAL THICKNESS		TOLERANCE (UNLESS OTHERWISE STATED)	
INTERNAL BEND RADIUS		DIMENSIONAL	
EXTERNAL B/A		CENTRES	
BEND DIE		ANGULAR	
DRAWN A.G.	DATE 8-6-93	MODEL	
CHECKED	DATE	9100/9200	
APPROVED	DATE		

*Marshall*

COPYRIGHT EXISTS ON THIS DOCUMENT. IT MUST NOT BE USED FOR ANY PURPOSE THAN THAT FOR WHICH IT IS SUPPLIED AND MUST NOT BE COPIED (IN WHOLE OR IN PART) WITHOUT WRITTEN PERMISSION FROM MARSHALL AMPLIFICATION PLC. DENBIGH ROAD, BLETCHLEY, MILTON KEYNES, MK1 1DQ. TEL (0908)375411 FAX (0908)376118

TITLE		SHEET 1 OF 2	
CCT DIAG			
DRIVER PCB			
DWG.No	9100-60-02	ISSUE	6

DWG.No. 9100-60-02



UNSPECIFIED HOLE DATA			MATERIAL		DIMENSIONS IN		TITLE CCT DIAG DRIVER PCB	SHEET 2 OF 2
A	B	H	MATERIAL THICKNESS	TOLERANCE (UNLESS OTHERWISE STATED)	DIMENSIONAL			
6	1313	01-11-96	C	INTERNAL BEND RADIUS	CENTRES			
5	0705	25-11-94	D	EXTERNAL B/A	ANGULAR			
4	0725	27-10-94	E	BEND DIE	MODEL			
3	0606	19-4-94	F	DRAWN A.G.	DATE 8-6-93			
ISS	ECO NUMBER	DATE	G	CHECKED	DATE			
				APPROVED	DATE			

*Marshall*

COPYRIGHT EXISTS ON THIS DOCUMENT. IT MUST NOT BE USED FOR ANY PURPOSE THAN THAT FOR WHICH IT IS SUPPLIED AND MUST NOT BE COPIED (IN WHOLE OR IN PART) WITHOUT WRITTEN PERMISSION FROM  
 MARSHALL AMPLIFICATION PLC.  
 DENBIGH ROAD, BLETCHLEY, MILTON KEYNES, MK1 10G.  
 TEL: (0900) 375411 FAX: (0900) 376118

DWG.No  
**9100-60-02**  
 ISSUE  
**6**